

MONTAGEINFORMATIONEN

ASSEMBLY INSTRUCTIONS

MONTAGE-INFORMATIE

(D)

(GB)

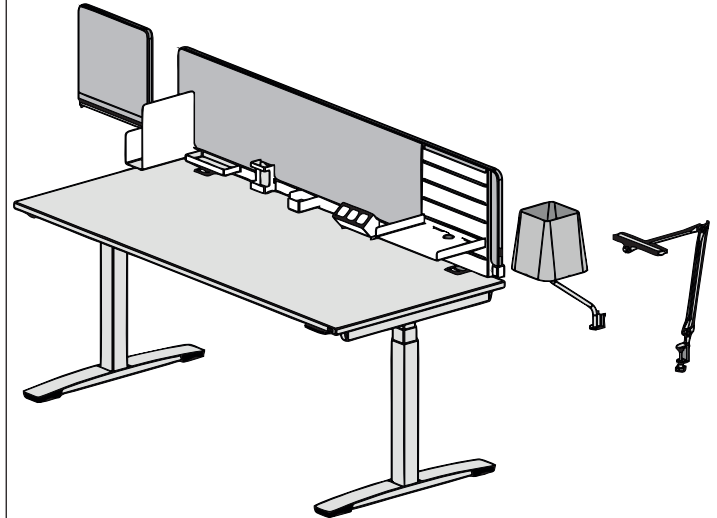
(NL)

094

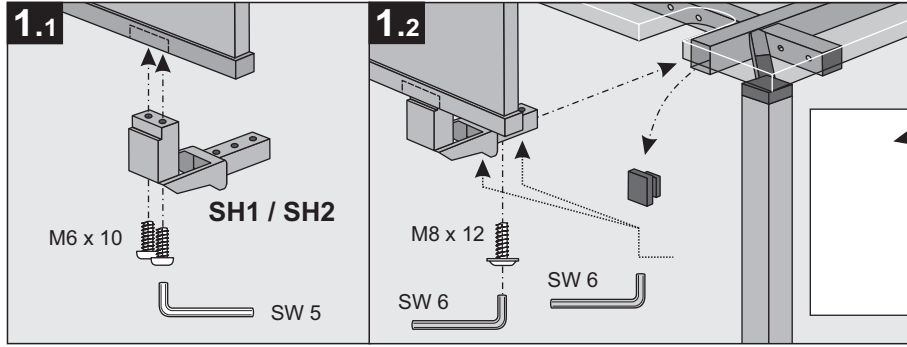
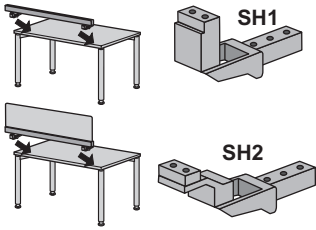
*DeskTop Montage und
Modulanbindung Screen DeskTop*

*DeskTop Sampling and
Module connection on
Screen DeskTop*

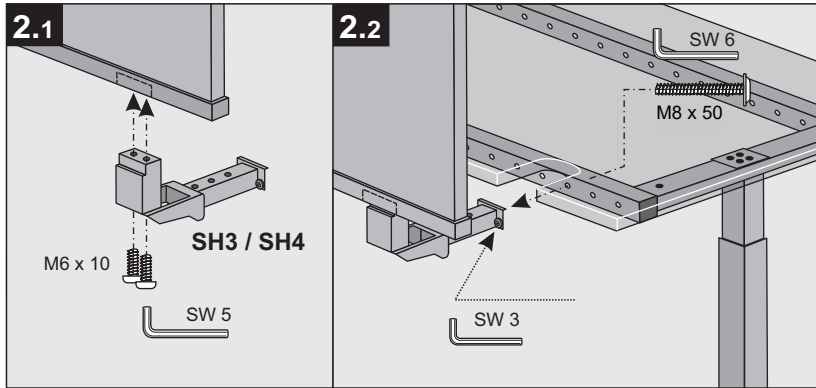
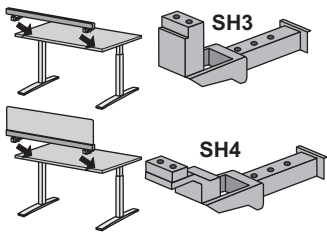
*DeskTop montage en
Moduleverbinding met de
Screen DeskTop*



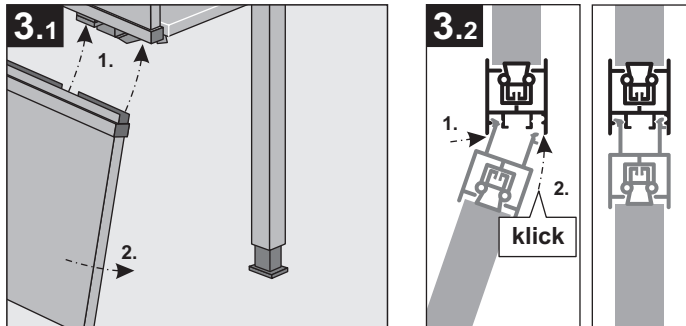
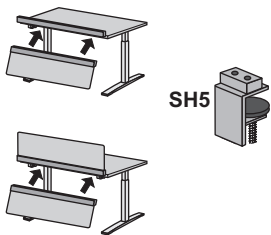
1 OKA Screen DeskTOP DL1



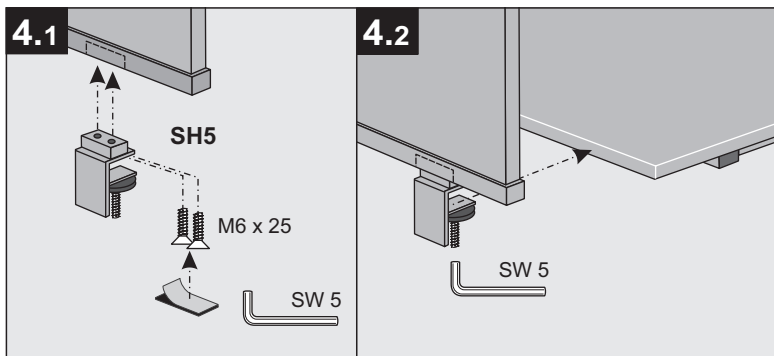
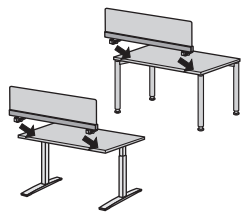
2 OKA Screen DeskTOP DL7/DL8/DL9/DL10



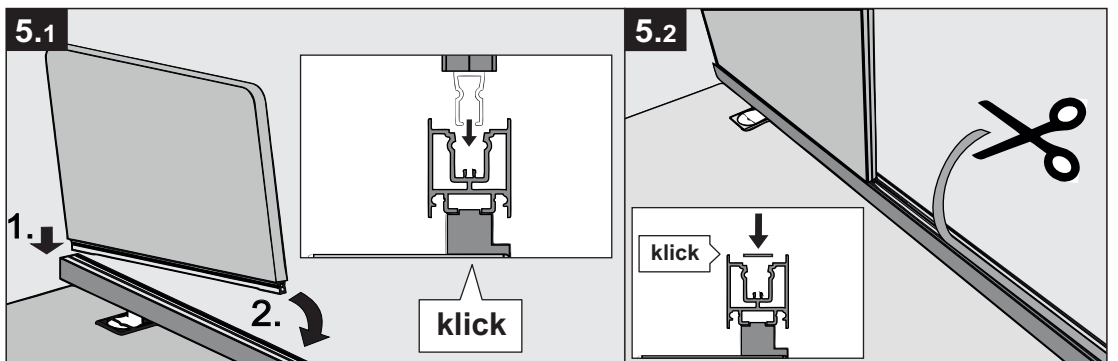
3 OKA Screen DeskTOP DL7/DL8/DL9/DL10



4 OKA Screen DeskTOP DL1/DL7/DL8/DL9/DL10



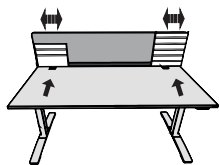
5 DeskTop-Flex / Abdeckband für Reling



Montage Module DeskTOP

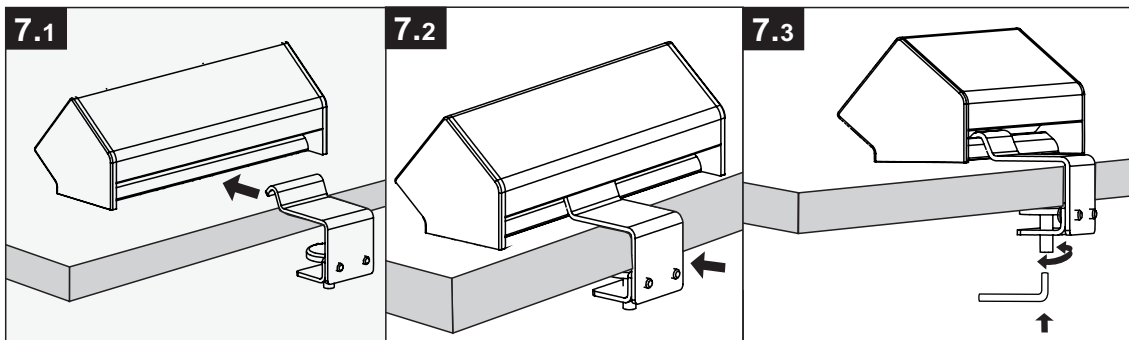
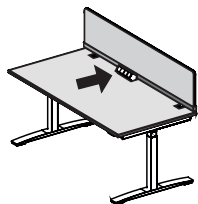
6

OKA Orga-Blech



7

NETBOX-Smart für Reling



8

Lampenadapter + Monitor

